

Aimpoint 2000

USERS MANUAL AND GUARANTEE

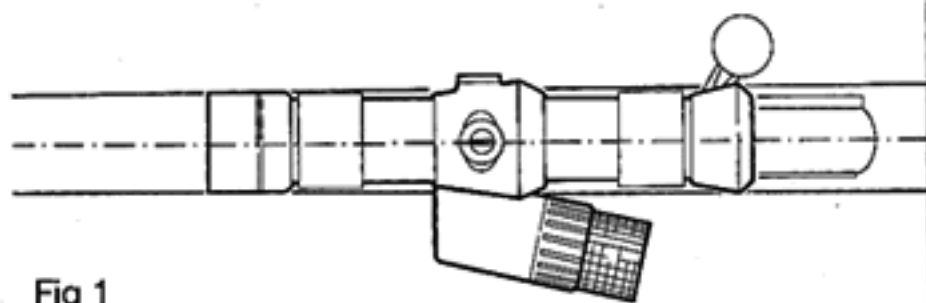


Fig 1

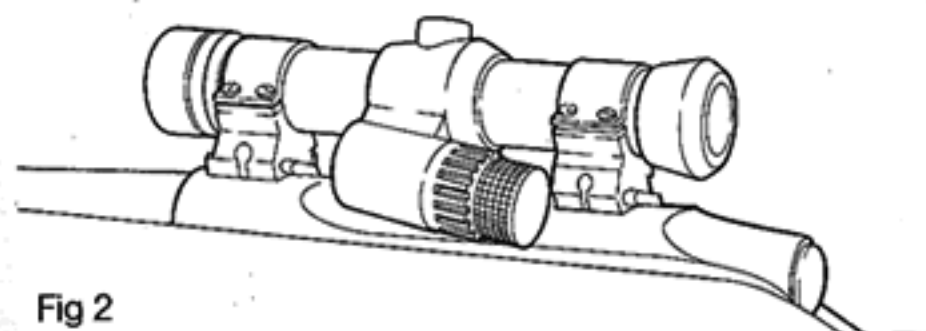


Fig 2

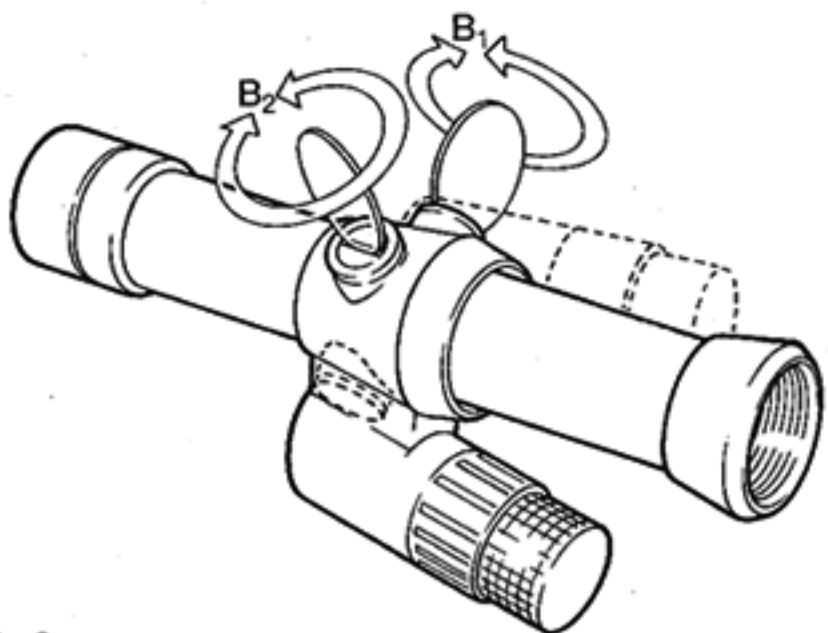


Fig 3

English

You have chosen the Aimpoint 2000. It can be used on pistols, rifles, shotguns and bows. For hunting, target shooting or just plinking, the Aimpoint can get the job done.

MOUNTING

The Aimpoint 2000 is mounted with standard one inch (1") ring mounts on standard weaver type bases. Follow carefully the mounting instructions for the rings. When assembling, make sure the bases are on the same line vertically as well as horizontally. (fig 1).

Two rings must be used - one at the front and one at the rear of the long (type L) sight. On the short (type S) sight the two rings are mounted forward of the battery pack.

The sight can be mounted with the battery pack on the left or right side for right or left-handed shooters or for your particular

weapon. One of the adjustment screws should point upwards.

WINDAGE AND ELEVATION ADJUSTMENT (FIG 3).

Take off the covers for the adjustment screws (B₁, B₂). The groove of the screws is designed so adjustment can be made with a coin. Each graduation corresponds to a movement of the point of impact of 1/2 inch (13 mm) at a distance of 110 yards (100 m). The adjustment is infinitely variable and can be set between the graduations. When moving the point of impact to the left, screw the windage adjustment screw (B₁) clockwise (for leftside mounting (*) counter clockwise). When moving the point of impact to the right, screw the windage adjustment screw (B₁) counter clockwise (for leftside mounting (*) clockwise).

When moving the point of impact upwards, screw the elevation adjustment screw (B₂)

counter clockwise. When moving the point of impact downwards, screw the elevation adjustment screw (B₂) clockwise. The windage and elevation adjustment have been mechanically controlled at the factory in order to provide optimal adjustment possibilities. Therefore do not screw the adjustment screws before having mounted the sight on the weapon. Be sure to retighten the mount screws after the first few shots have been fired.

BORE SIGHTING

Remove the bolt and place the weapon on a solid flat surface. Aim the weapon by looking through the bore at a small distant target. Move the eye from the bore to the sight. Without moving the weapon adjust the sight for windage and elevation until the red dot is on the target.

After having carefully bore sighted, the bullet should strike within 8-12 inches

(20-30 cm) of the target at a distance of 110 yards (100 m). Final adjustment is being done in the normal way by shooting at a target.

LIGHT ADJUSTMENT

The light intensity of the red dot is automatically adjusted. This means that the red dot remains at the same contrast with the target regardless of the outer lighting conditions. By turning knob A the sight is adjusted to fit your eyes sensitivity to red.

The battery pack has a light inlet at the front to determine the light intensity of the surroundings. Avoid obscuring this inlet when adjusting the intensity of the dot.

In position (B) the sight is switched off and the more the knob is turned towards position (C) the more intense the red dot becomes.

BATTERIES

The sight is supplied with battery caps in two different sizes to make it possible to use dif-

ferent sizes of batteries. The following type of batteries can be used:

With long battery cap:

- Mercury 2 pcs RM 1 N
- Lithium 1 pc DL 2/3 A

With short battery cap:

- Mercury 2 pcs CP 675
- Lithium 1pc CR - 1/3 N
- Alkaline 2 pcs LR - 44

The voltage of the batteries should be 2,6-3 volts. The minus poles of the batteries must face the battery cap. When more than one battery is used make sure they are turned the same way. The batteries must not be plastic coated. Clean the batteries thoroughly before putting them into the sight. For cold weather use Lithium cells as this has better low temperature characteristics.

POLARIZING FILTER

The Aimpoint comes with a polarizing filter to be mounted at the front of the sight. To do

this, hold the rear part of the filter and screw it in. Then turn the front part of the filter to change contrast. The filter can be separated by pulling out the front ring.

- The following parts are included
- Complete sight (long or short)
 - 2 Mercury batteries RM 1 N
 - Short battery cap
 - 2 lens covers
 - Polarizing filter
 - Polishing cloth

TECHNICAL DATA

	Short	Long
Weight:	148 g/5,35 oz*	168 g/6 oz*
Length:	128 mm/5"	185 mm/7 1/4"

* excl. batteries

AVAILABLE ACCESSORIES:

- Aimpoint 3X scope attachment
- Aimpoint 1,5-4X Zoom scope attachment
- Aimpoint range of mounts and rings
- * Scope attachments fit long type of sight only.

- 1
- 2
- 3
- 4
- 5
- 6